

STEMS

MODEL: HEADSPACE 35

FEATURES:

RETRO INSPIRED DESIGN

50mm EXTENSION

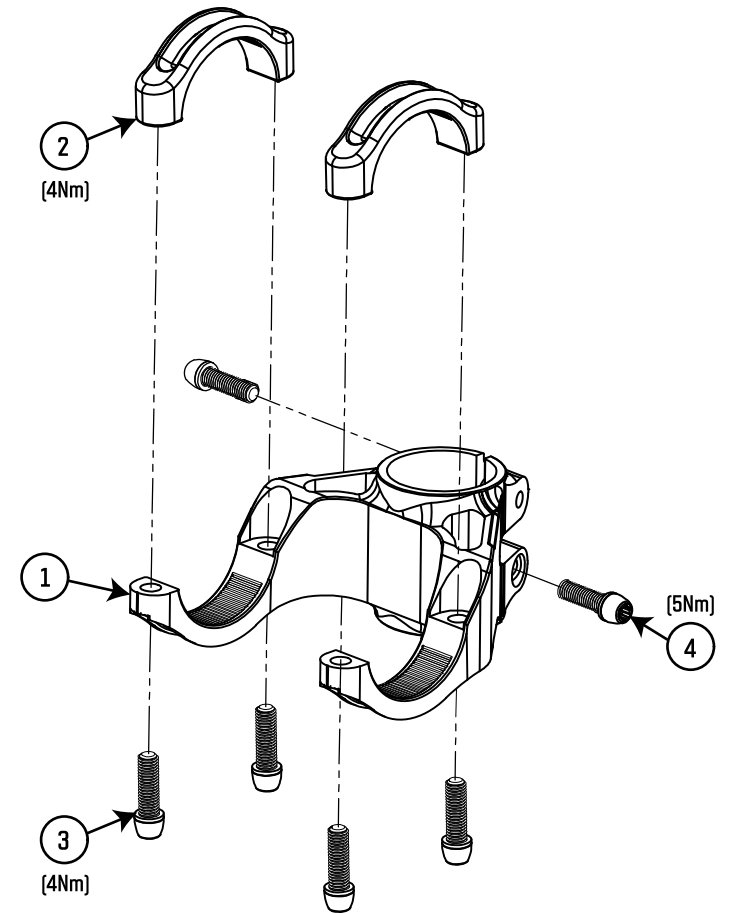
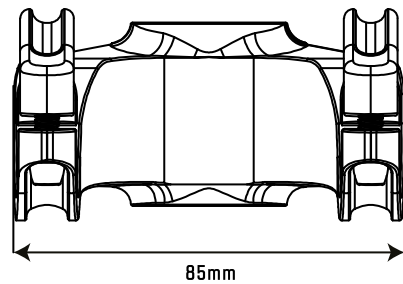
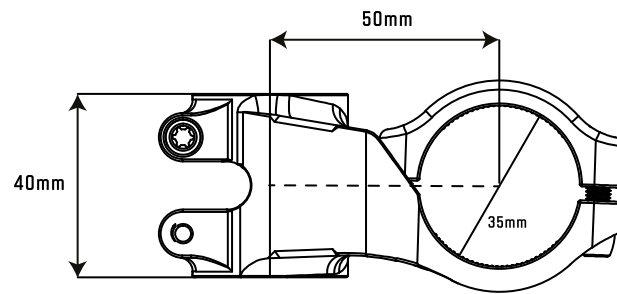
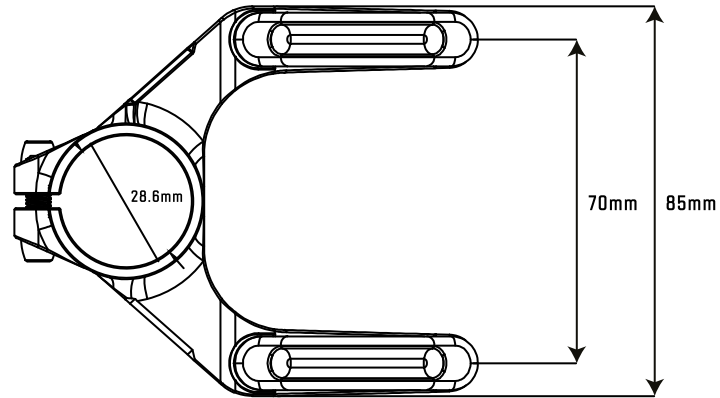
ZERO DEGREE RISE

35mm BAR-BORE

31.8mm COMPATIBLE
(WITH SHIMS / SOLD SEPERATELY)

FORGED ALLOY CONSTRUCTION

WEIGHT : 142g



Item No.	Description	Material	Quantity
1.	50mm Stem	AL6061	1
2.	Top Clamp	AL6061	2
3.	Screw T25-M5x18mmL (4Nm)	SUS304	4
4.	Screw T25-M5x16mmL (5Nm)	SUS304	2